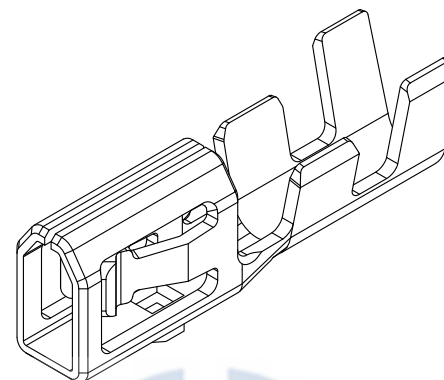
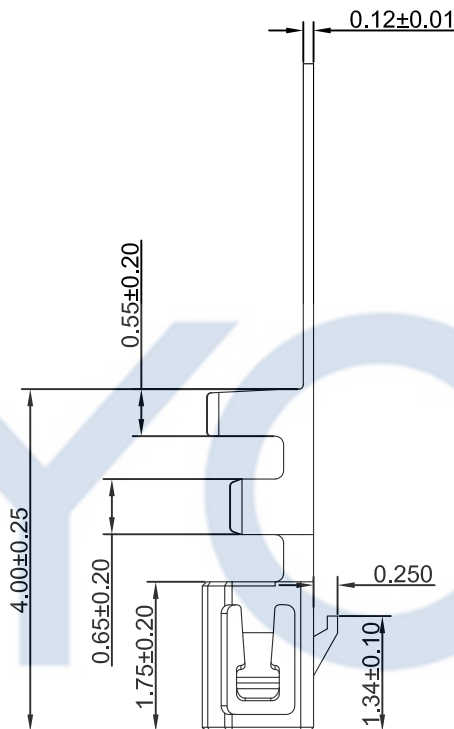
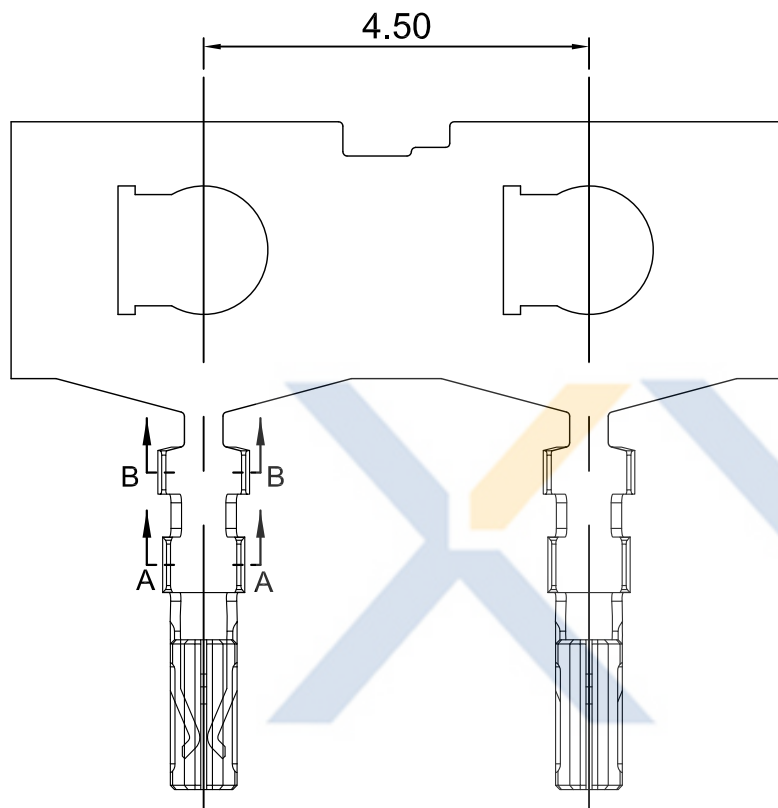
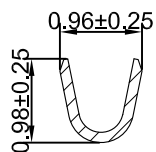
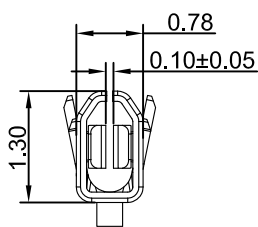


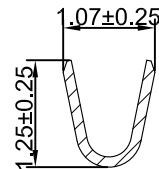
# DRAWING FOR CUSTOMER



- SPEC.:
- Rated Voltage:50V AC,DC
  - Rated Current:1A AC,DC
  - Withstand Voltage:250V AC/minute
  - Contact Resistance:20mΩ max
  - Insulation Resistance:100MΩ min
  - Temperature Range:-25℃~+85℃
- Terminal
- Material:Phosphor Bronze
  - Applicable wire:AWG#28~32



SECTION A-A  
SCALE 1:1



SECTION B-B  
SCALE 1:1

KB9907-XXXT2A

- 1:All plated  
2:Half plated

- Plating  
0: Tin-plat  
1: Gold Plat1u"  
2: Gold Plat3u"  
3: Gold Plat5u"

Version

Mold No.

Terminal

## XYCO PRECISION CONNECTORS

TEL: 0769-8297 9981/2/3 <http://www.XYCO.com.cn>

2017-09-15	A	CHANGE HISTORY 變更歷史	KB9907-XXT2A	Devin
DATE 日期	VER 版本			
2017-09-15	A			

TOLERANCE 公差	DRAWING 設計者	Devin
.X=±0.30 .XX=±0.20 .XXX=±0.10	CHECKED 審查	Thomas
	APPROVED 核准	William

KB9907-XXT2A	
PART NO. 料號	
DWG NO. 圖號	PE1712003A

UNIT 單位	mm
------------	----

PRODUCT NAME 產品名稱	501193 PH1.00mm Wire To Board Terminal
----------------------	--

501193 PH1.00mm Wire To Board Terminal
--