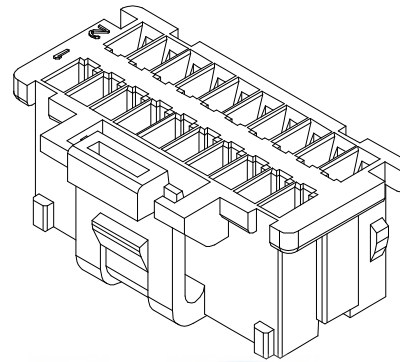
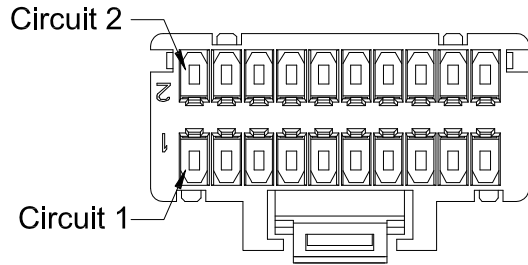
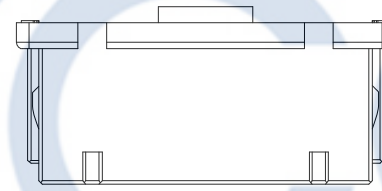
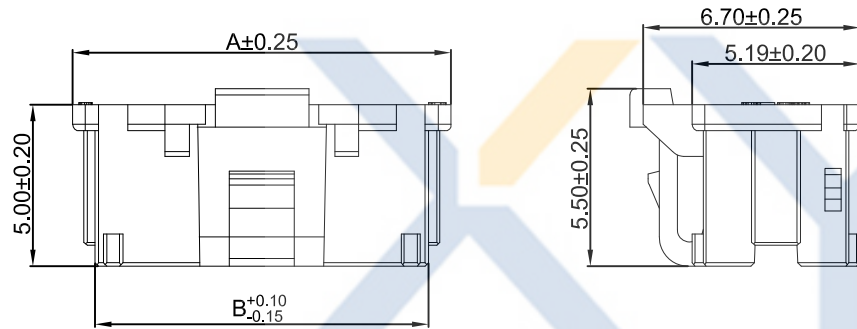


DRAWING FOR CUSTOMER



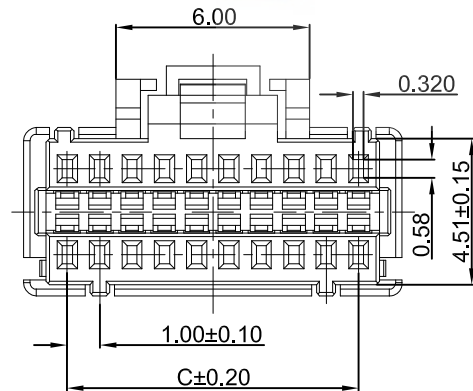
- SPEC.:
- Rated Voltage:50V AC,DC
 - Rated Current:1A AC,DC
 - Withstand Voltage:250V AC/minute
 - Contact Resistance:20mΩ max
 - Insulation Resistance:100MΩ min
 - Temperature Range:-25℃~+85℃

- Housing
- Material:PA66 UL94-V0
 - Color:Natural(white)



KB9907-D X X H L 2 A

Double row Version
Pin No. Mold No.
Housing With Lock



Precision Connectors

Part No.	Dimension (mm)		
	A	B	C
20	11.70	10.30	9.0
30	16.70	15.30	14.0
40	21.70	20.30	19.0
50	26.70	25.30	24.0

XYCO PRECISION CONNECTORS

TEL: 0769-8297 9981/2/3 <http://www.XYCO.com.cn>

2017-09-15		A	CHANGE HISTORY 變更歷史	KB9907-DXXHL2A	Devin	TOLERANCE 公差	DRAWING 設計者	Devin	KB9907-DXXHL2A		UNIT 單位		mm	PRODUCT NAME 產品名稱	501189 PH1.00mm Wire To Board Double Row Housing With Lock
DATE 日期	VER 版本	CHANGED NAME 修改後料號				DRAWING 變更者	.X=±0.30 .XX=±0.20 .XXX=±0.10	CHECKED 審查	Thomas	PART NO. 料號	mm				
								APPROVED 核准	William	DWG NO. 圖號	PE1712002A	XYCO PRECISION CONNECTORS			