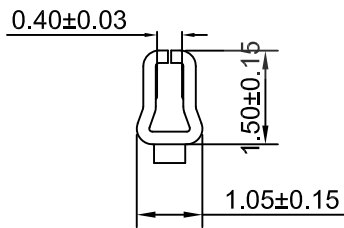
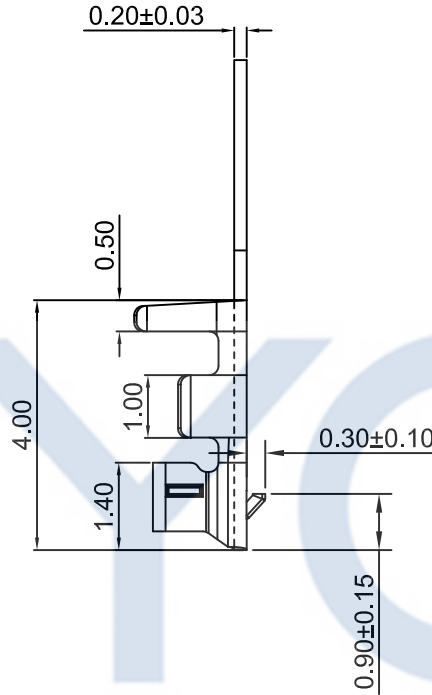
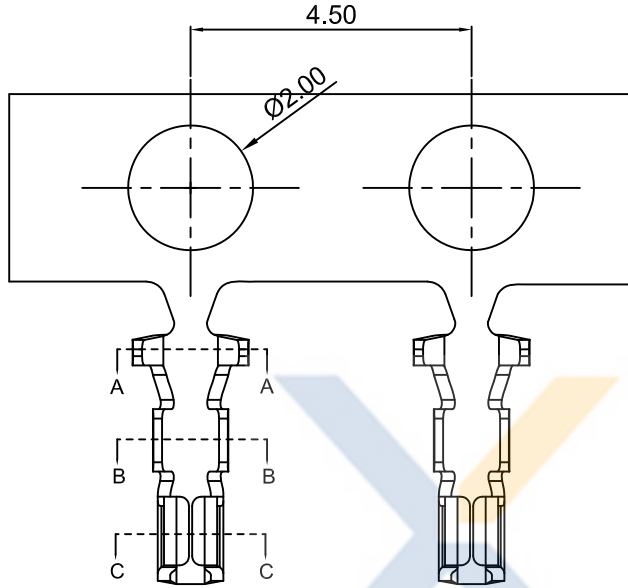
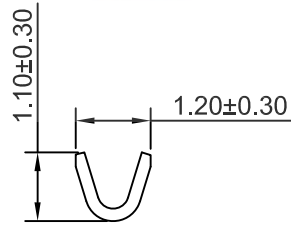


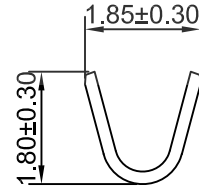
DRAWING FOR CUSTOMER



SECTION C-C



SECTION B-B



SECTION A-A

■SPEC.:

- Rated Voltage:50V AC,DC
- Rated Current:1A AC,DC
- Withstand Voltage:500V AC/minute
- Contact Resistance:20mΩ max
- Insulation Resistance:500MΩ min
- Temperature Range:-25°C~+85°C

■Terminal:

- Material:Phosphor Bronze
- Finish:Tin-plated,over Nickel
- Applicable wire:AWG#26~32
- QTY.:15KPCS/Reel

KB924-X X T 1 A

- 1:All plated
- 2:Half plated

Version

Plating

- 0: Tin-plat
- 1: Gold Plat1u"
- 2: Gold Plat3u"
- 3: Gold Plat5u"

Mold No.

Terminal

XYCO 东莞市轩业电子科技有限公司
TEL: 0769-8297 9981/2/3 <http://www.XYCO.com.cn>

					TOLERANCE 公差	DRAWING 設計者	Devin	KB924-XXT1A	
2021-01-15	A	新模发行	KB924-XXT1A	Devin	.X=±0.30	CHECKED 審查	Thomas	PART NO. 料號	
DATE 日期	VER 版本	CHANGE HISTORY 變更歷史	CHANGED NAME 修改後料號	DRAWING 變更者	.XX=±0.20 .XXX=±0.10	APPROVED 核准	William	DWG NO. 圖號	PE2101002A

UNIT 單位	mm	PRODUCT NAME 產品名稱	ZH1.5mm Wire To Board Terminal
------------	----	----------------------	-----------------------------------